

PYROBEL 16

FIRE RESISTANT GLAZING EI 30 AND EW 60
ACCORDING TO EN 13501-2

DESCRIPTION

Pyrobel 16 is a laminated glass assembled with several clear intumescent interlayers. In the event of fire, the interlayers transform into rigid and opaque fire shields, that keep out flames and reduce heat transmission with insulation of the partitions. Pyrobel 16 and 16 EG provide fire resistance in both directions.

TECHNICAL DATA

Specification / Identification	Pyrobel 16  yourglass.com	Pyrobel 16 EG  yourglass.com	Pyrobel 16 / 16 EG  yourglass.com
Glazing type	Single	Single	Double Gglazed
Grade	Internal	Internal / External	Internal / External
Glass thickness	17.3 mm	21.1 mm	min 33 mm
Thickness tolerance	± 1 mm	± 1.5 mm	± 3 mm
Dimension tolerance	± 2 mm	± 2 mm	± 3 mm
Weight	ca 40 kg/m ²	ca 48 kg/m ²	min 56 kg/m ²
Minimum dimensions	No minimum	No minimum	300 X 400 mm
Light properties (EN 410): τ_v / ρ_v [%]	84/8	83/7	NPD
U value (EN 673)	5.4 W/(m ² .K)	5.2 W/(m ² .K)	NPD
Impact resistance (EN 12600)	2B2	1B1	NPD
Sound reduction (EN 12758): Rw(C, Ctr)	39 dB (-1; -3)	39 dB (-1; -3)	NPD

NPD: No performance declared - see Glass Configurator on www.yourglass.com

CERTIFICATIONS according to EN 1364-1, EN 1634-1, EN 1364-3 & EN 13501-2

APPLICATION ^(*)	REPORT NUMBER	Glazing	Tested dimensions in mm l x h ^(**)			Results (minutes)		
			Portrait	Landscape	Surface	EW	EI	
Partition	Timber	Pyrobel 16	1600 x 2874	1198 x 500	4.6 m ²	48	36	
		Pyrobel 16 IGU	1700 x 2874	-	4.89 m ²	49	34	
	Steel – Jansen Janisol 2	12341 B	Pyrobel 16	900 x 2836	1872 x 500	2.55 m ²	66	32
		12342 B		1600 x 2836	1172 x 500	4.54 m ²	52	33
		1244 / B		695 x 1889	1424 x 641	1.31 m ²	68	10
		443863/10		1407 x 2839	1371 x 1005	3.99 m ²	45	31
	Steel – Forster Fuegolight	14539 B	Pyrobel 16 EG IGU	-	2835 x 1400	3.97 m ²	49	34
Alu - Schüco ADS80 RF30	16232 B	Pyrobel 16	1350 x 2888	917 x 800	3.90 m ²	48	36	
Doors	Alu - Schüco Firestop 2	Pr-03-02.114	Pyrobel 16 IGU	1184 x 2514	-	2.98 m ²	46	36
Façades	Steel – Jansen Janisol 2	ET/TV/1080	Pyrobel 16 IGU	1440 x 2935	-	4.23 m ²	45	31
	Alu - Wicona Wictec 50FP	PX12326-2		1464 x 2897	-	4.24 m ²	37	37
	Alu SAPA 4150	P404424		1200 x 2908	-	3.48 m ²	39	39

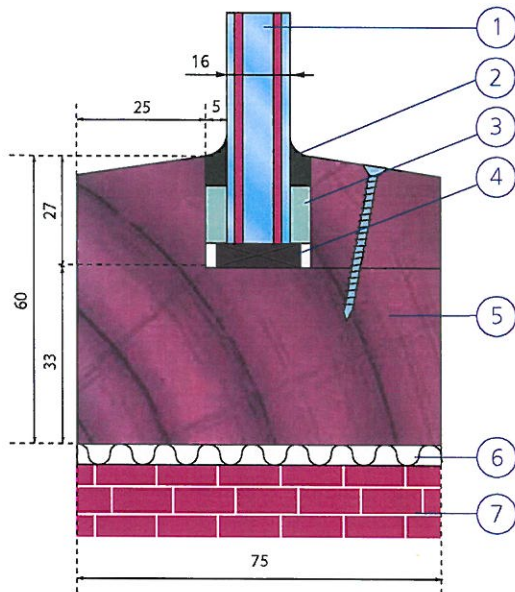
^(*) For alternative systems, please consult AGC

^(**) Extended application of results following EN 15254-4

PYROBEL 16

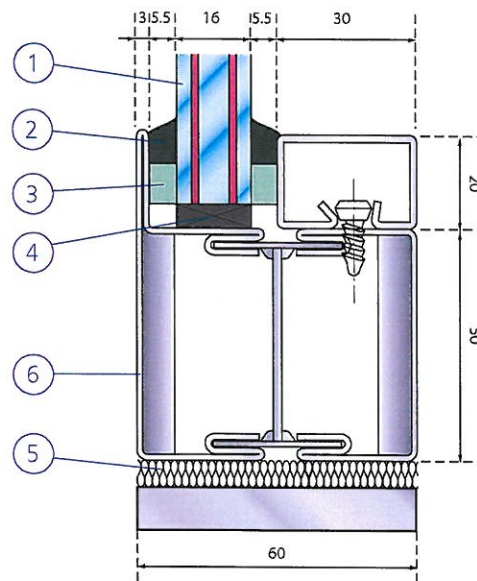
FIRE RESISTANT GLAZING EI 30 AND EW 60 ACCORDING TO EN 13501-2

Timber frame (in mm)



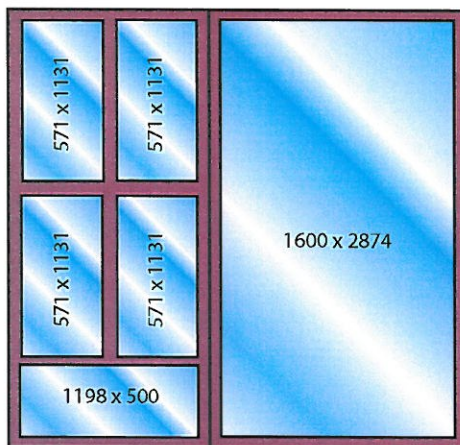
REPORT N° 12277 B

Steel frame (in mm)



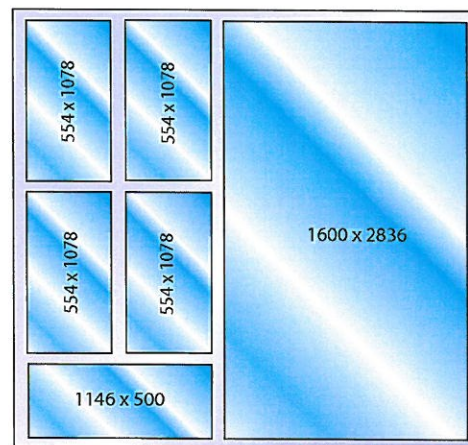
REPORT N° 12342 B

Example of assembly (in mm)
Unlimited partition



REPORT N° 12277 B

Example of assembly (in mm)
Unlimited partition



REPORT N° 12342 B

- 1 Pyrobel 16
- 2 Neutral sealant
- 3 Ceramic fibre paper: Superwool X607 20 x 5 mm
- 4 Setting block
- 5 Hardwood partition
- 6 Ceramic or mineral wool
- 7 Partition

Fire Resistant Glass - CHE ENG - CDT s.r.o. - June 2015

All of the installation details given in the report must be respected. The only authorised modifications are those mentioned in the report.

www.yourglass.com



GLASS UNLIMITED

AGC Glass Europe - plant Seneffe, Parc industriel, Zone C, B-7180 Seneffe, Belgium, pyrobel@eu.agc.com, Tel.: +32 64 51 05 19, Fax: +32 64 55 80 80
AGC Glass Czech - plant Olovi, Sklářská 300, 357 07 Olovi, Czech Republic, jan.vilcek@eu.agc.com, Tel.: +420 35 23 68 688, Fax: +420 35 23 68 66