

PYROBEL 25
FIRE RESISTANT GLAZING EI 60
ACCORDING TO EN 13501-2

DESCRIPTION

Pyrobel 25 is a laminated glass assembled with several clear intumescent interlayers. In the event of fire, the interlayers transform into rigid and opaque fire shields, that keep out flames and reduce heat transmission with insulation of the partitions. Pyrobel 25 and 25 EG provide fire resistance in both directions.

TECHNICAL DATA

Specification / Identification	Pyrobel 25  yourglass.com	Pyrobel 25 EG  yourglass.com	Pyrobel 25 / 25 EG  yourglass.com
Glazing type	Single	Single	Double glazed
Grade	Internal	Internal / External	Internal / External
Glass thickness	26.6 mm	30.4 mm	min 43 mm
Thickness tolerance	± 2 mm	± 2 mm	± 3 mm
Dimension tolerance	± 2 mm	± 2 mm	± 3 mm
Weight	ca 60 kg/m ²	ca 68 kg/m ²	min 75 kg/m ²
Minimum dimensions	No minimum	No minimum	300 x 400 mm
Light properties (EN 410): τ_v / ρ_v [%]	81/7	80/7	NPD
U value (EN 673)	5.2 W/(m ² .K)	5.0 W/(m ² .K)	NPD
Impact resistance (EN 12600)	1B1	1B1	NPD
Sound reduction (EN 12758): Rw(C, Ctr)	40 dB (-1; -3)	43 dB (-1; -4)	NPD

NPD: No performance declared - see Glass Configurator on www.yourglass.com

CERTIFICATIONS according to EN 1364-1, EN 1634-1 & EN 13501-2

APPLICATION ^(*)	REPORT NUMBER	Glazing	Tested dimensions in mm l x h ^(**)			Results (minutes)		
			Portrait	Landscape	Surface	EW	EI	
Partition	Pr - 01 - 02.053	Pyrobel 25	1400 x 2700	1398 x 844	3.78 m ²	77	76	
		Pyrobel 25 EG	1120 x 1808	2307 x 1400	3.23 m ²	75	75	
		Pyrobel 25 IGU	1700 x 2874	-	4.88 m ²	82	67	
	Steel - Jansen Janisol 3k	11560 B	Pyrobel 25	1913 x 2865	-	5.48 m ²	82	63
	Steel - Jansen Janisol C4	11V756	Pyrobel 25 IGU	-	2390 x 870	2.07 m ²	77	77
	Steel - Forster Fuegolight	05G309	Pyrobel 25	1400 x 2700	-	3.78 m ²	79	75
	Alu - Schüco Firestop II	07V138 B		1520 x 2420	-	3.68 m ²	67	63
	Alu - Schüco ADS80 FR60	16269 B		1500 x 2888	360 x 996	4.33 m ²	69	69
	Alu - Schüco Firestop II	07V138 B	Pyrobel 25 EG IGU	1265 x 2420	-	3.06 m ²	67	63
Façade	Steel - Jansen Viss Fire	12031 B	Pyrobel 25 IGU	1395 x 2903	1478 x 1303	4.05 m ²	80	67
	Steel - Forster Thermix Vario	R0750	Pyrobel 25 EG IGU	1500 x 2920	-	4.38 m ²	75	75

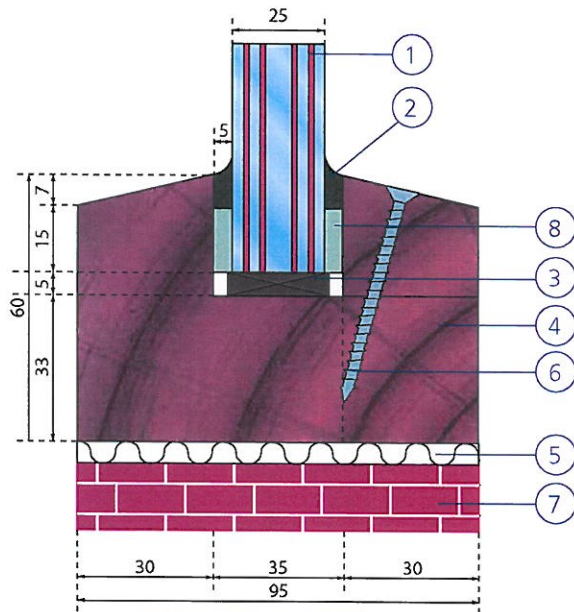
^(*) For alternative systems, please consult AGC

^(**) Extended application of results following EN 15254-4

PYROBEL 25

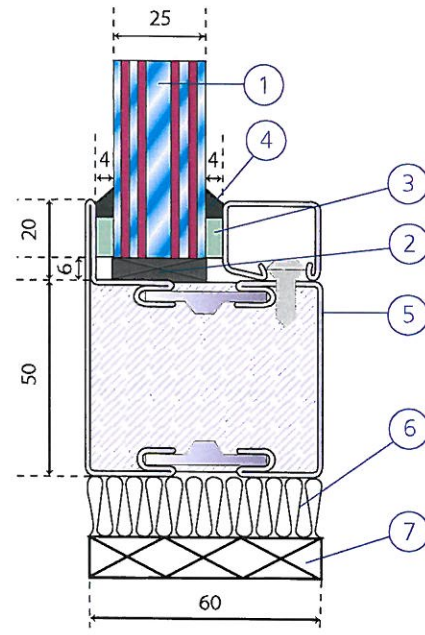
FIRE RESISTANT GLAZING EI 60 ACCORDING TO EN 13501-2

Timber frame (in mm)



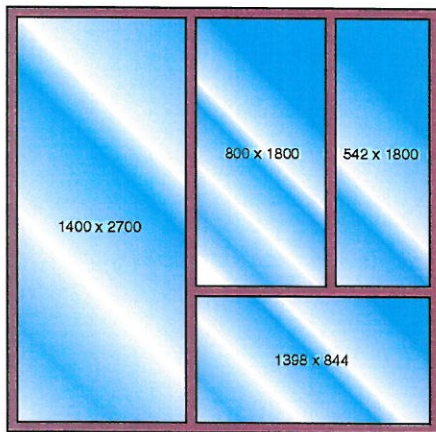
REPORT N° Pr - 01 - 02.053

Steel frame (in mm)



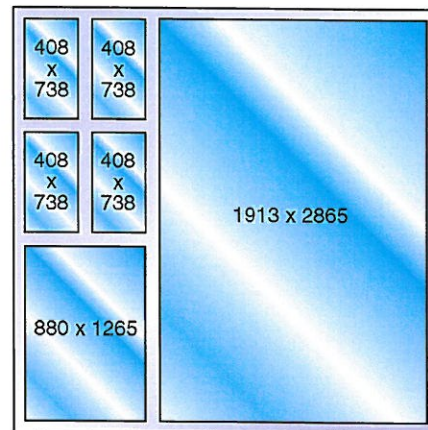
REPORT N° 11560 B

Example of assembly (in mm)
Unlimited partition



REPORT N° Pr - 01 - 02.053

Example of assembly (in mm)
Unlimited partition



REPORT N° 11560 B

- | | |
|---------------------------|-------------------------------|
| 1 Pyrobel 25 | 5 Ceramic or mineral wool |
| 2 Neutral sealant | 6 Steel screw 50 x 4 mm |
| 3 Setting block 70 x 5 mm | 7 Partition |
| 4 Hardwood frame | 8 Foam tape with closed cells |

- | |
|--|
| 1 Pyrobel 25 - Pyrobel 25EG |
| 2 Setting block 70 x 26 x 6 mm |
| 3 Ceramic fibre paper 20 x 4 Fiberfrax or Superwool X607 |
| 4 Neutral sealant |
| 5 Steel frame |
| 6 Ceramic or mineral wool |
| 7 Partition |

Fire Resistant Glass - C-HE-ENG - CDT s.r.o. - June 2015

All of the installation details given in the report must be respected. The only authorised modifications are those mentioned in the report.

www.yourglass.com



GLASS UNLIMITED

AGC Glass Europe – plant Senefte, Parc industriel, Zone C, B-7180 Senefte, Belgium, pyrobel@eu.agc.com, Tel.: +32 64 51 05 19, Fax: +32 64 55 80 80
AGC Glass Czech – plant Oloví, Sklářská 300, 357 07 Oloví, Czech Republic, jan.vilcek@eu.agc.com, Tel.: +420 35 23 68 688, Fax: +420 35 23 68 66