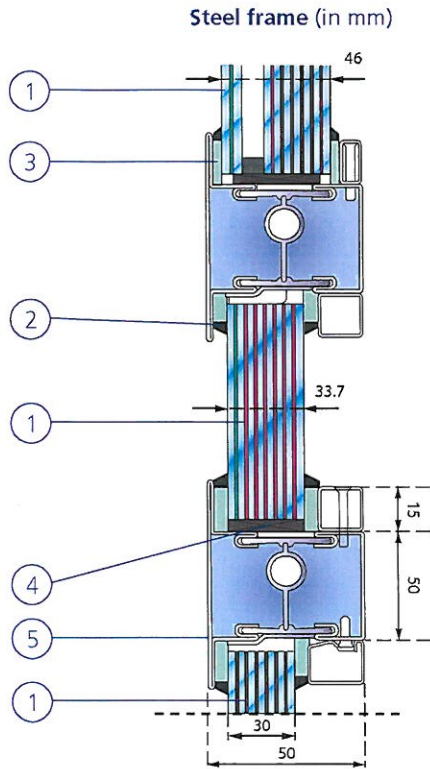
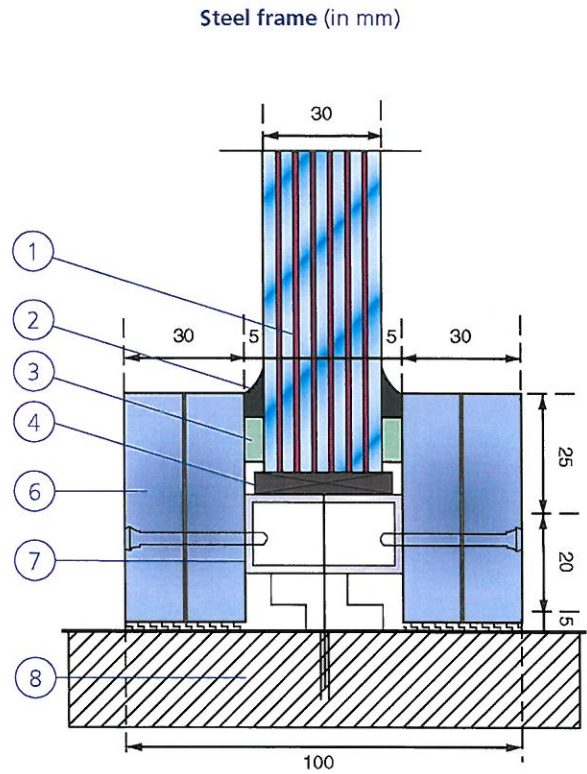


# PYROBEL 30

FIRE RESISTANT GLAZING EI 90 ACCORDING TO EN13501-2

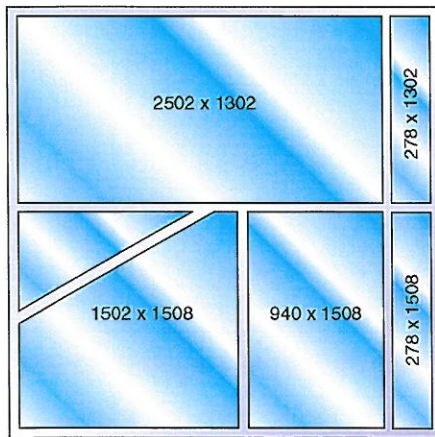


REPORT N° 10V433



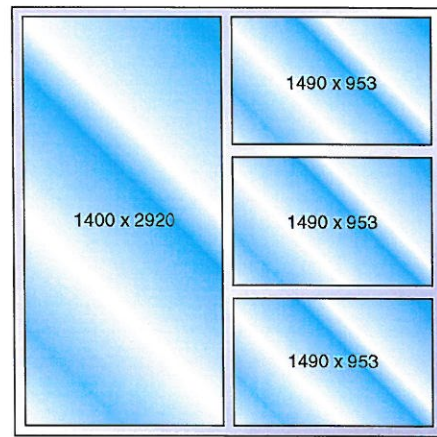
REPORT N° 3169/606/11

Example of assembly (in mm)  
Unlimited partition



REPORT N° 10V433

Example of assembly (in mm)  
Unlimited partition



REPORT N° 3169/606/11

- |   |               |
|---|---------------|
| 1 Pyrobel 30 - Pyrobel 30 FG - Pyrobel 30 IGU | 5 Janisol C4  |
| 2 Firestop 700                                | 6 Promatect H |
| 3 Ceramic fibre paper: Superwool X607         | 7 Steel tube  |
| 4 Setting block                               | 8 Partition   |

Fire Resistant Glass CASE ENG - CDT 1.10 - June 2015

All of the installation details given in the report must be respected. The only authorised modifications are those mentioned in the report.

[www.yourglass.com](http://www.yourglass.com)



GLASS UNLIMITED

AGC Glass Europe – plant Seneffe, Parc industriel, Zone C, B-7180 Seneffe, Belgium, [pyrobel@eu.agc.com](mailto:pyrobel@eu.agc.com), Tel.: +32 64 51 05 19, Fax: +32 64 55 80 80  
AGC Glass Czech – plant Oloví, Sklářská 300, 357 07 Oloví, Czech Republic, [jan.vilcek@eu.agc.com](mailto:jan.vilcek@eu.agc.com), Tel.: +420 35 23 68 688, Fax: +420 35 23 68 66

## PYROBEL 30

FIRE RESISTANT GLAZING EI 90  
ACCORDING TO EN 13501-2

### DESCRIPTION

Pyrobel 30 is a laminated glass assembled with several clear intumescent interlayers. In the event of fire, the interlayers transform into rigid and opaque fire shields, that keep out flames and reduce heat transmission with insulation of the partitions. Pyrobel 30 and 30 EG provide fire resistance in both directions.

### TECHNICAL DATA

Specification / Identification	Pyrobel 30 CE yourglass.com	Pyrobel 30 EG CE yourglass.com	Pyrobel 30 / 30 EG CE yourglass.com
Glazing type	Single	Single	Double glazed
Grade	Internal	Internal / External	Internal / External
Glass thickness	30 mm	33,7 mm	min 46 mm
Thickness tolerance	± 2.5 mm	± 2.8 mm	± 3 mm
Dimension tolerance	± 2 mm	± 2 mm	± 3 mm
Weight	ca 69 kg/m <sup>2</sup>	ca 77 kg/m <sup>2</sup>	min 84 kg/m <sup>2</sup>
Minimum dimensions	No minimum	No minimum	300 x 400 mm
Light properties (EN 410): $\tau_v / \rho_v$ [%]	83/8	81/8	NPD
U value (EN 673)	5.1 W/(m <sup>2</sup> .K)	4.9 W/(m <sup>2</sup> .K)	NPD
Impact resistance (EN 12600)	1B1	1B1	NPD
Sound reduction (EN 12758): Rw(C, Ctr)	42 dB (-1; -4)	43 dB (-1; -4)	NPD

NPD: No performance declared - see Glass Configurator on [www.yourglass.com](http://www.yourglass.com)

### CERTIFICATIONS according to EN 1364-1, EN 1634-1 & EN 13501-2

APPLICATION (*)	REPORT NUMBER	Glazing	Tested dimensions in mm l x h (**)			Results (minutes)	
			Portrait	Landscape	Surface	EW	EI
Partition	10V433	Pyrobel 30	1502 x 1508	-	2.26 m <sup>2</sup>	93	90
		Pyrobel 30 EG	278 x 1508	1204 x 695	0.84 m <sup>2</sup>	93	90
		Pyrobel 30 IGU	940 x 1580	2502 x 1302	3.25 m <sup>2</sup>	93	90
Steel Insulated	3169/606/11	Pyrobel 30	1400 x 2920	1490 x 953	4.08 m <sup>2</sup>	90	90

(\*) For alternative systems, please consult AGC

(\*\*) Extended application of results following EN 15254-4