



## PYROBEL 53N

FIRE RESISTANT GLAZING EI 120  
ACCORDING TO EN 13501-2

### DESCRIPTION

Pyrobel 53N is a laminated glass assembled with several clear intumescent interlayers. In the event of fire, the interlayers transform into rigid and opaque fire shields, that keep out flames and reduce heat transmission with insulation of the partitions. Pyrobel 53N and 53N EG provide fire resistance in both directions.

### TECHNICAL DATA

Specification / Identification	Pyrobel 53N  yourglass.com	Pyrobel 53N EG  yourglass.com
Glazing type	Single	Single
Grade	Internal	Internal / External
Glass thickness	52.7 mm	56.5 mm
Thickness tolerance	± 3 mm	± 3 mm
Dimension tolerance	± 2 mm	± 2 mm
Weight	ca 122 kg/m <sup>2</sup>	ca 130 kg/m <sup>2</sup>
Minimum dimensions	No minimum	No minimum
Light properties (EN 410): $\tau_v / \rho_v$ [%]	75/6	73/7
U value (EN 673)	4.5 W/(m <sup>2</sup> .K)	4.4 W/(m <sup>2</sup> .K)
Impact resistance (EN 12600)	1B1	1B1
Sound reduction (EN 12758): Rw(C, Ctr)	48 dB (-2; -7)	49 dB (-2; -7)

NPD: No performance declared - see Glass Configurator on [www.yourglass.com](http://www.yourglass.com)

### CERTIFICATIONS according to EN 1364-1, EN 1634-1 & EN 13501-2

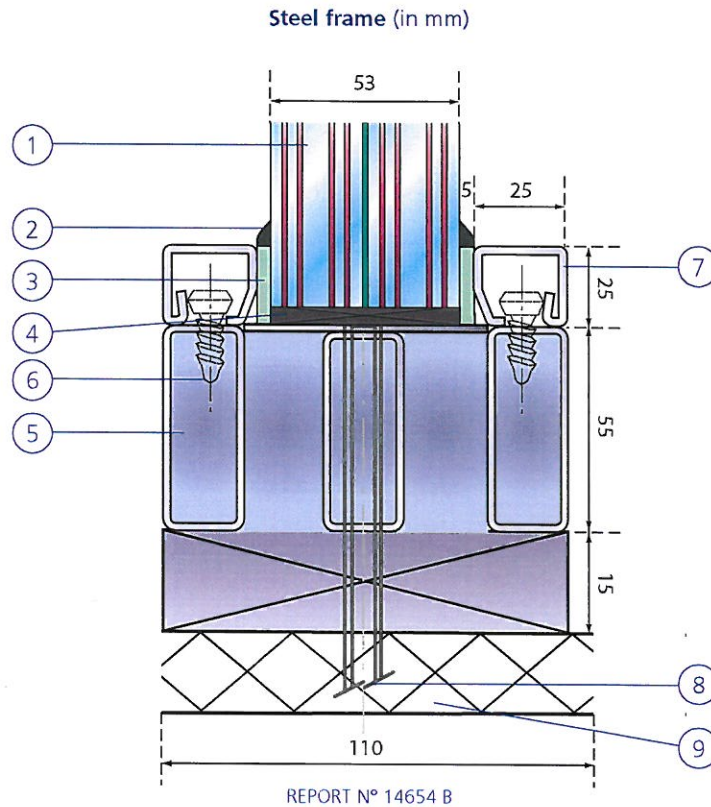
APPLICATION (*)		REPORT NUMBER	Glazing	Tested dimensions in mm l x h (**)			Results (minutes)	
				Portrait	Landscape	Surface	EW	EI
Partition	Steel – Forster Fuego	14654 B	Pyrobel 53N	1300 x 2850	1460 x 800	3.71 m <sup>2</sup>	123	123

(\*) For alternative systems, please consult AGC

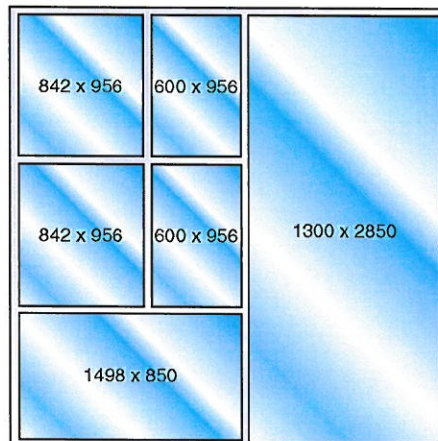
(\*\*) Extended application of results following EN 15254-4

# PYROBEL 53N

FIRE RESISTANT GLAZING EI 120 ACCORDING TO EN 13501-2



**Example of assembly (in mm)**  
Unlimited partition



REPORT N° 14654 B

- 1 Pyrobel 53N
- 2 Silicone Mortar Pensil 300 - grey
- 3 Superswool Paper X607
- 4 Setting block 5 mm
- 5 Forster Fuego frame

- 6 Steel screw
- 7 Beads
- 8 Fixations: Hilti 100 HIT - Ø 10 x 132 mm
- 9 Partition

All of the installation details given in the report must be respected. The only authorised modifications are those mentioned in the report.

[www.yourglass.com](http://www.yourglass.com)



GLASS UNLIMITED

AGC Glass Europe – plant Seneffe, Parc industriel, Zone C, B-7180 Seneffe, Belgium, [pyrobel@eu.agc.com](mailto:pyrobel@eu.agc.com), Tel.: +32 64 51 05 19, Fax: +32 64 55 80 80  
AGC Glass Czech – plant Oloví, Sklářská 300, 357 07 Oloví, Czech Republic, [jan.vilcek@eu.agc.com](mailto:jan.vilcek@eu.agc.com), Tel.: +420 35 23 68 688, Fax: +420 35 23 68 66